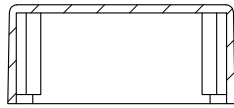


OVERALL ASSEMBLY DIMENSIONS:

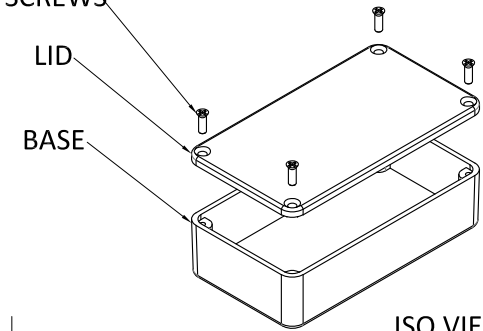
EXTERNAL - 112 x 62 x 31

INTERNAL - 107.4 x 57.4 x 27

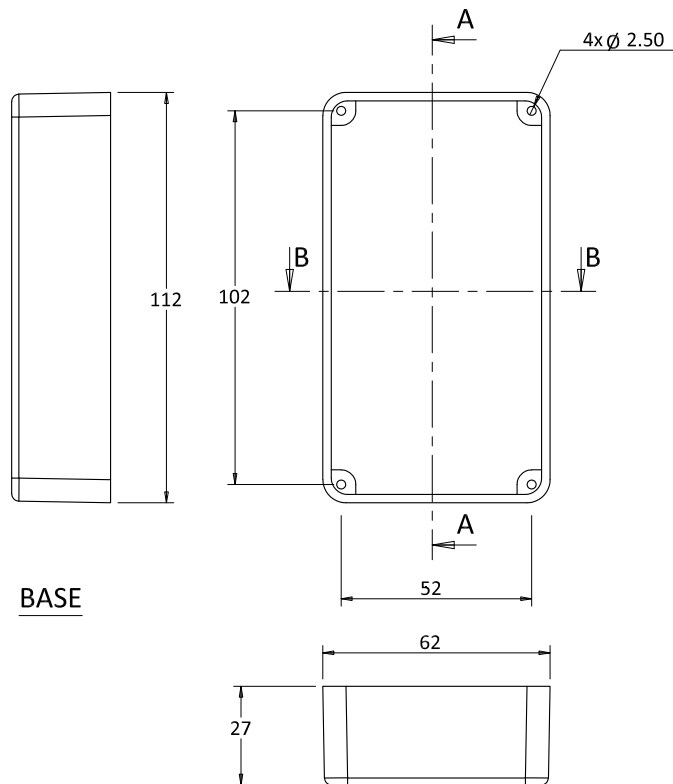
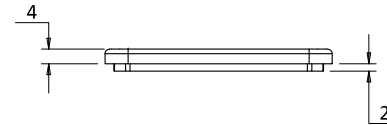


SECTION B-B

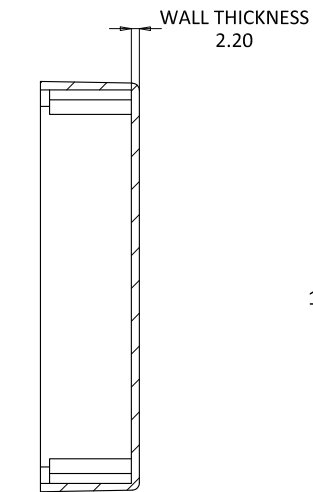
CSK SELF TAPPING SCREWS



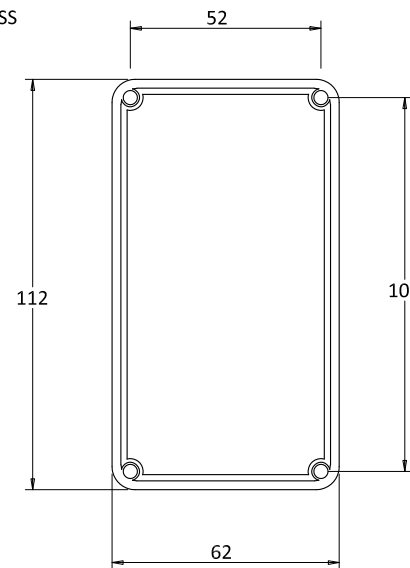
ISO VIEW
1:3



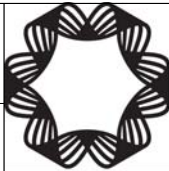
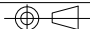
BASE



SECTION A-A



LID

UNLESS OTHERWISE SPECIFIED: DIMENSIONS ARE IN MILLIMETERS		 RND components
COLOUR	GREY	
MATERIAL	ABS	RND 455-00047
PROJECTION.	 SCALE: 1 : 2	SHEET 1 OF 1
		A4