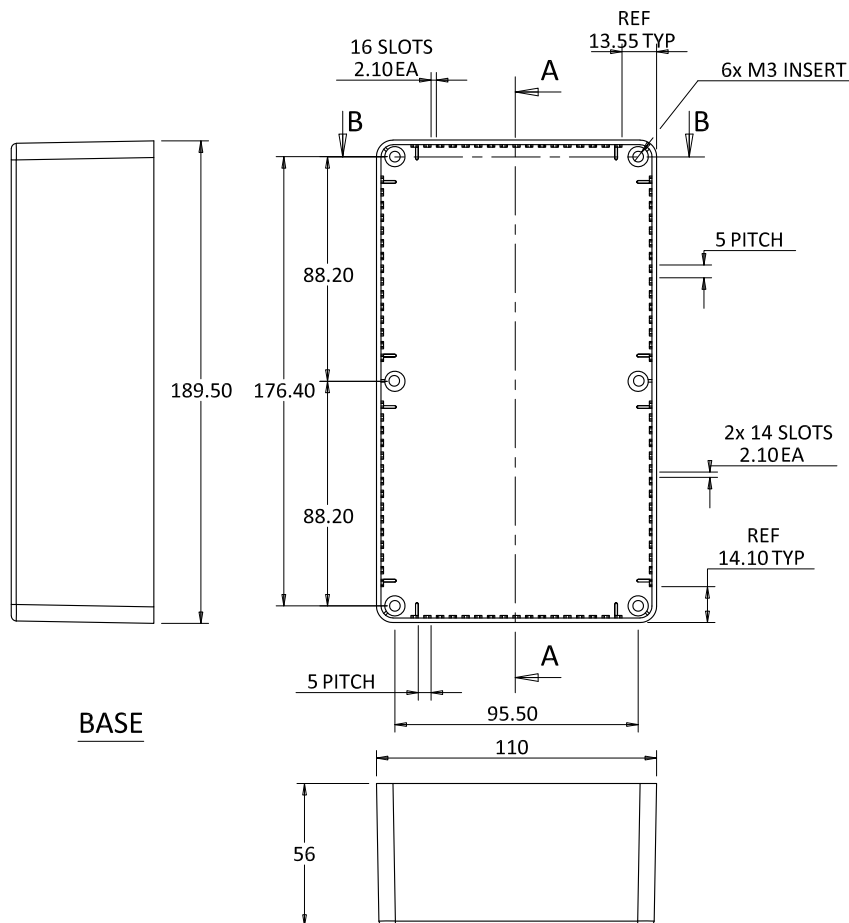
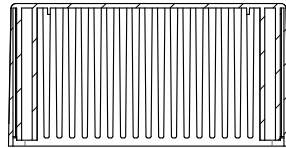


OVERALL ASSEMBLY DIMENSIONS:

EXTERNAL - 190 x 110 x 60

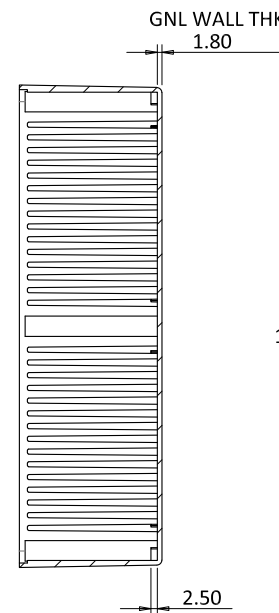
INTERNAL - 186.4 x 106.4 x 56.4

SECTION B-B



BASE

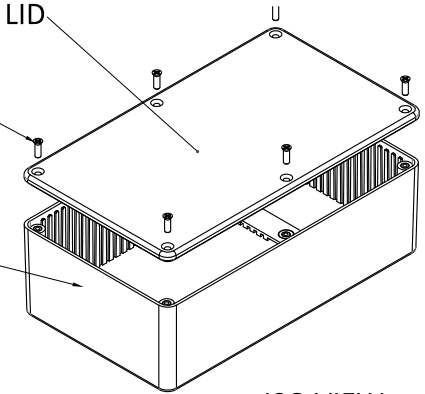
SECTION A-A



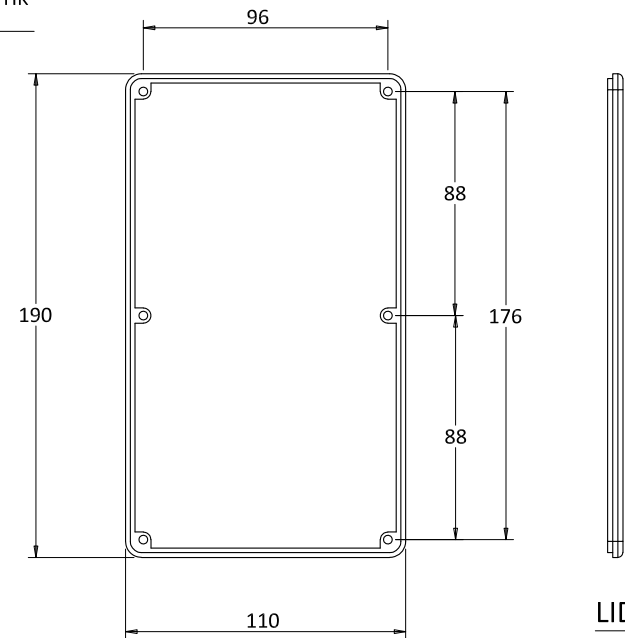
M3 CSK CSREW

LID

BASE



ISO VIEW  
1:4



LID

UNLESS OTHERWISE SPECIFIED:  
DIMENSIONS ARE IN MILLIMETERS

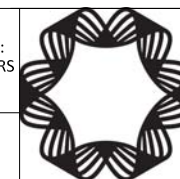
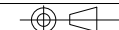
COLOUR

GREY

MATERIAL

ABS

PROJECTION.



**RND**  
components

RND 455-00049

SCALE: 1:2

SHEET 1 OF 1

A4